



SOLACE 4 in 1 Bathroom Heater

21476/05 – Matt White

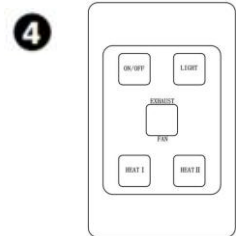
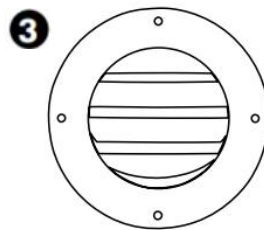
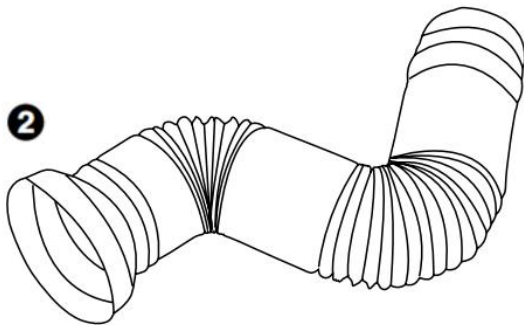
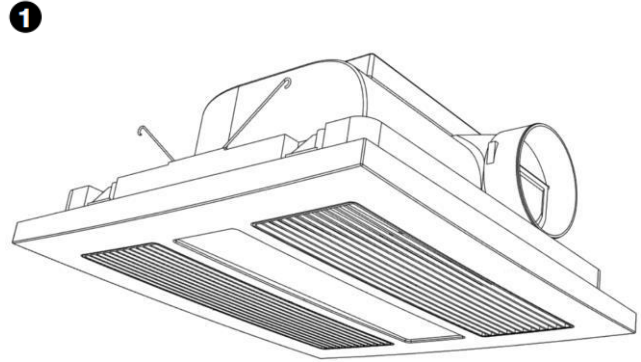
21476/06 – Matt Black

Please read all instructions before commencing installation even if you are familiar with this type of product.

THIS FITTING MUST BE INSTALLED BY A QUALIFIED ELECTRICAL CONTRACTOR in accordance with the latest edition of AS/NZS 3000

Parts List

1. Bathroom Heater and LED Light Panel
2. Ø100mm Duct 1.5m Length
3. Exterior Vent
4. Switch Plate



For your Safety

- To prevent electrical shock, please ensure that power is **DISCONNECTED** before installing.
- Be aware of the height of your installation. Refer to 'Working at Heights' guide from your local or State Authorities.
- This product must be used only as described in this manual. Any other use not recommended by the manufacturer may cause fire, electric shock, or injury to persons. If you have questions, contact the supplier or local agent.
- All wiring must be carried out by a licensed electrician in accordance with all applicable national / local codes and standards. Also check with the local council regulations regarding installation of exhaust fans.
- When cutting into the ceiling material, care must be taken to ensure you do not damage the existing ceiling structure, existing electrical wiring and other hidden utilities.
- This appliance is not intended for use by persons (including children) with reduced physical, sensory or mental capabilities, or lack of experience and knowledge, unless they have been given supervision or instruction concerning use of the appliance by a person responsible for their safety.
- Children should be supervised to ensure that they do not play with the unit.
- For the purpose of avoiding any fumes leaking into your bathroom, the duct for the heater must not be laid together with ducts for air-fuelled water heaters or other open-fire appliances.
- Any alterations or additions to building wiring must be completed by a licensed electrician or person authorised by legislation to work on the fixed wiring of any electrical installation



SOLACE 4 in 1 Bathroom Heater

21476/05 – Matt White

21476/06 – Matt Black

Introduction and Considerations

Read these instructions carefully before installing & using the product.

Always operate this product from a power source of the same voltage, frequency and rating as indicated on rating label.

This product is designed for installation in flat ceilings only. Don't mount on a sloping ceiling or a vertical wall.

Locate and install the product in accordance with the requirements of AS/NZS 3000 and local building codes. Do not install in a location where there is a possibility of water splashing onto the heater PTC.

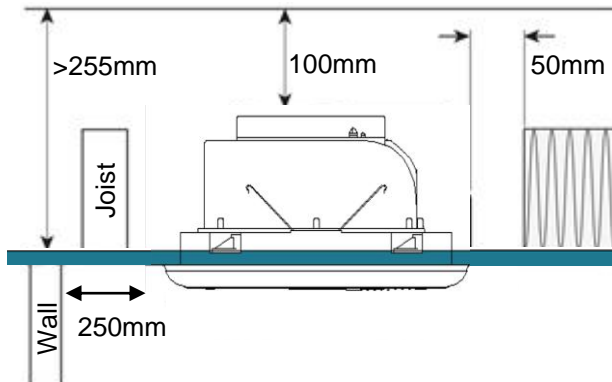
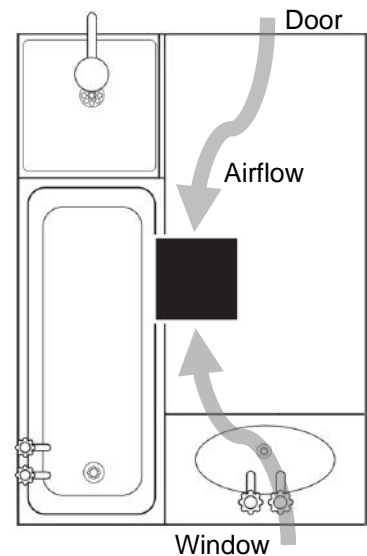
Ventilation Requirements

For the exhaust fan to work efficiently, replacement air of a volume equivalent to what is being extracted must be able to enter the room.

Generally, air would be drawn under the door, or through a slightly open window. If the room is airtight, the fan will operate poorly. Air flow path should ideally pass over the steam source.

It is also essential there is adequate space within the roof cavity so the steam can dissipate.

If roof cavity is restricted or not well ventilated it is recommended that duct and vent be used to extract steam to an outside area.



Clearance Requirements

This unit must be mounted at least 250mm away from vertical walls. (inside the bathroom)

A minimum clearance of 100mm is required above the top of the unit.

Additionally a minimum of 50mm clearance is required between the sides of unit and joists, walls or insulation.



SOLACE 4 in 1 Bathroom Heater

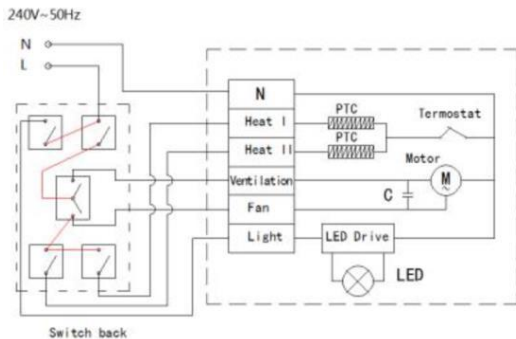
21476/05 – Matt White

21476/06 – Matt Black

Installation

- 1) This unit must be mounted at least 1.8 metres above the floor and at least 250mm away from vertical walls.
- 2) Ensure area behind the installation location is clear of all cables, pipes, joists or hidden utilities.
- 3) Use the template provided to mark and cut a hole in the ceiling (Refer specifications for hole size).
- 4) Remove rear terminal cover and connect wires as per wiring diagram on page 3. Refit terminal cover.
- 5) Push the unit into the ceiling hole and tighten 4 screws for ensuring inbuilt plastic clip fasteners hold unit securely in place.
- 6) Connect LED light panel to the LED driver plugs and insert torsion spring of front fascia back into housing of heater
- 7) Attach ducting if required to extract the air to the outer wall using 1.5m long flexible ducting, cable tie and vent outlet grille provided. Fix and tighten the cable tie firmly to hold the flexible duct to the unit and the outer wall vent.
- 8) Ensure that the flexible duct, when connected to the unit doesn't obstruct or block the anti-draft stopper, as it would reduce the overall airflow.

Electrical wiring diagram



- 1) Ensure the power is switched "OFF" at the mains before commencing installation.
- 2) Remove the cover on the back of the enclosure to access the terminals.
- 3) Connect wires as per electrical wiring diagram and markings adjacent to terminal block.
- 4) Replace the cover removed earlier.

Operation

This unit uses a PTC (Positive Temperature Coefficient) heating element as a heat source. It also has an exhaust/fan and an LED light.

- Heating: Step1: Turn 'ON/OFF' button on.
Step2: Switch button to 'Fan' and turn 'Heat I or Heat II' on. Note: When Heat I and Heat II are turned on, full heating is applied.
- Fan: Step1: Turn 'ON/OFF' button on
Step2: Switch button to 'Fan' to blow air in to the room
- Exhaust: Step1: Turn 'ON/OFF' button on
Step2: Switch button to 'Exhaust'
- LED Light: Operate the LED light independently from heater, using the 'Light' switch button

Caution: Do Not Turn Heat Button On While Device Is in Exhaust Mode. This May Result In Abnormal Operation

Cleaning

- Switch off the power before commencing cleaning and wait until the heater cool down.
- Regularly wipe front LED light panel with soft cloth soaked with water or neutral detergent if required.
- Clean the exhaust fan from dust and dirt with dry or wet cloth if required.
- Clean the exhaust ducting kit and ensure airways are clean and there are no obstructions at the exit from the wall.
- Ensure no dust holds up around PTC heater.



SOLACE 4 in 1 Bathroom Heater

21476/05 – Matt White

21476/06 – Matt Black

Specifications

Model No	21476/05 , 21476/06
Fascia colour	/05 – Matt White, /06 – Matt Black
Rating	240V, 50Hz, 2152W
LED Lamp	12W, 900lm, Cool White, Non dimmable
Airflow	240m ³ /h (at exit point from the unit)
Cut out hole size	350mm x 350m
Dimensions	385mm L x 385mm W x 155mm H (excluding grille)
IP rating	IPX2
Weight	3.8kg

Warranty:

Brilliant Lighting warrants this product against defects in manufacture and workmanship for a period of 3 years from date of purchase or as specified elsewhere. For products used in non-domestic or commercial applications, Brilliant Lighting warrants this product for a period of 3 months from date of purchase. This warranty is only valid for products installed and operated within the guidelines specified by Brilliant Lighting, and within the correct operating voltage ranges as stated on the product's rating label.

Warranty does not include damage or loss arising from incorrect installation, operation or maintenance of this product, damage caused through modification, incorrect installation, service by unqualified or unauthorised personnel or lack of regular maintenance and cleaning. Proof of installation by qualified personnel may be required, e.g. Electrical Safety Certificate. Proof of purchase must be supplied with all warranty claims. Warranty does not cover caused by ripple frequency present (NSW&QLD) on power grid.

This warranty is provided in addition to any other rights and remedies of the customer under any law. In applications not intended for household, personal or domestic use, liability is limited to replacement or reimbursement of product only. Brilliant Lighting does not warranty the costs of removal or re-installation of this product or associated components.

Our goods come with guarantees that cannot be excluded under the Australian Consumer Law. You are entitled to a replacement or refund for a major failure and compensation for any other reasonably foreseeable loss or damage. You are also entitled to have the goods repaired or replaced if goods fail to be of acceptable quality and the failure does not amount to a major failure.

Any claim under this warranty must be made within the specified warranty period from date of purchase of this product. To make a claim under the warranty; at your own expense take the product (with proof of purchase – receipt or similar) to the store where you purchased the product or contact Brilliant Lighting at the address below.

This warranty is given by:

Brilliant Lighting (Aust) Pty. Ltd.

ABN 37 006 203 694

956 Stud Road Rowville, VIC 3178

Phone: 03 9765 2555

Email: warranty@brilliantlighting.com.au

Made in China