

## MANROSE CLASSIC 12 VOLT (SELV) EXTRACTOR FANS

FAN5883 / 5890 / 5896

Thank you for selecting our Manrose SELV Extractor Fan.  
Please read all instructions before commencing installation.

All fans are of the standard type but are manufactured with 12V ~ 50Hz shaded pole motors.

### Caution

These fans must **NOT** be connected directly to a mains supply. Only use the enclosed approved 12V 50Hz safety isolating transformer. Order Code: FAN0436

### Note

All wiring must be fixed securely and the cable to the fan must be a minimum of 1.0mm<sup>2</sup> to 1.5mm<sup>2</sup> in section. All wiring must comply with current Regulations. This system should be installed by a qualified electrician. Shutters on Auto Shutter models take approximately 45 seconds to open/close.

The Fan is to be installed so that the blades are more than 2.1m above the floor.

For best results the extractor fan should be fitted as high on the wall as possible or if preferred on the ceiling.

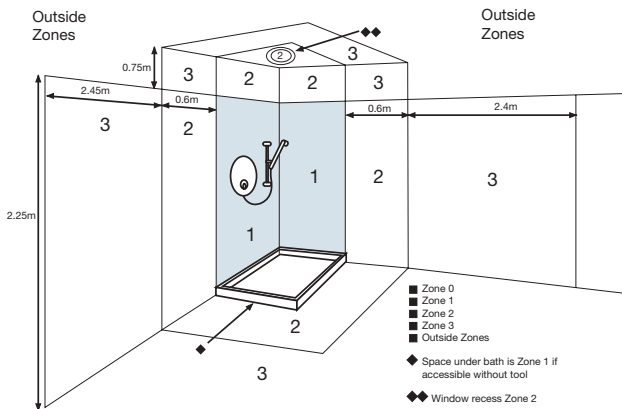
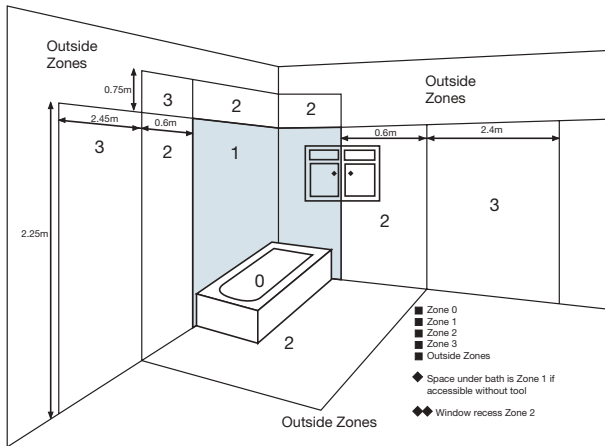
## SELV Wall / Ceiling Models Instructions

- 1 Cut hole in the wall / ceiling (refer to "Cut Out Size" chart). If the fan is to be fixed in the ceiling ensure that the hole is between the joists. Fan to be fitted minimum 1.8 metres from floor
2. Pull ducting out through the plaster/Gib.
3. Remove the cover from the fan by simply unclipping the fascia. The front cover screw and plug are conveniently located within the fan housing as shown in diagram 2.
4. Tape fan spigot to ducting, hold the body of the fan against the wall or ceiling and mark the four screw holes and the cable entry.

**IMPORTANT:** Ensure that the fan is square on the ceiling or wall.

5. If wall mounted fan, select a suitable position on the outside wall for the weatherproof cowl. Carefully remove the cowl from its housing by levering gently at the sides with a small screwdriver. Cut hole ensuring first that the area is free from obstruction (refer to "Cut Out Size" chart).
6. Connect the cable from the fan to the transformer which must be fitted beyond Zone 2

**Diagram 1**



Ref (Diagram 1).

**Caution**

While a 12V fan may be fitted anywhere in the splash area of a bath or shower the transformer **MUST** be mounted beyond zone 2.

**Specifications: 100, 125 and 150 WF, XF and XP Models**

Electrical: 12 Volts AC ~ 50 Hz 20W (100 and 125 Models) 25W (150 Models)

IP Rating: IP44 (except pullcord model IP24)

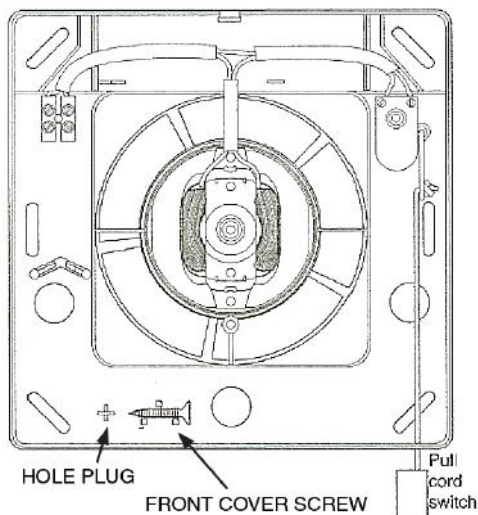
Supplied by a 12V ~ 50Hz safety isolating transformer.

**SELV Window Models Instructions**

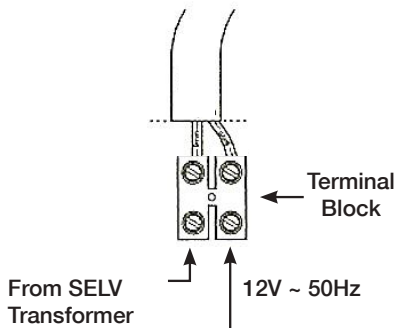
1. Cut hole in the glass (see "Cut Out Size Chart"). This is best cut by a qualified glazier.
2. Remove external grille by gently levering the top out with a small screwdriver and remove the three pozidrive screws and separate the two halves (Diagram 3).
3. Hold the fan in position over the hole on the inside of the window and then refit the three self tapping screws. Care must be taken to avoid cracking of the glass (Diagram 4).

# Standard / Pullcord Model

Diagram 2



**IMPORTANT**  
↑  
FAN MUST BE INSTALLED THIS WAY  
UP WHEN MOUNTED ON WALL



# Window Pullcord Model

Diagram 3  
Lever Out Gently

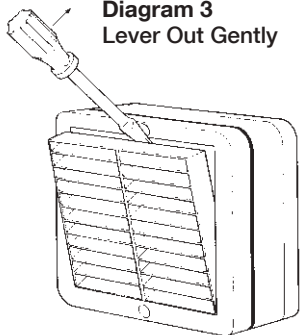


Diagram 4  
External Grille  
Rear of Fan With Grille Removed

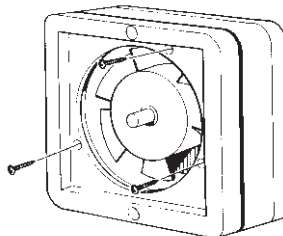
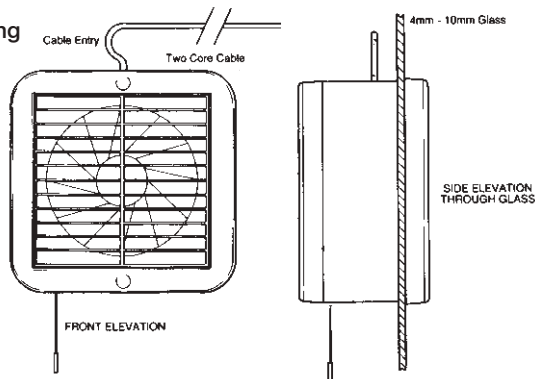


Diagram 5  
Through Window Fixing



# Cut Out Size Chart XF and XP

	Inside Grill	Outside Grill
XP / XF100	112mm	115mm
XP / XF125	135mm	135mm
XPLP / XFLP125	140mm	135mm
XP / XF150	160mm	160mm
XPLP / XFLPXP150	173mm	160mm

## WF Window Fans

	Minimum Hole Size	Maximum Hole Size
WF100	115mm	155mm
WF150	165mm	190mm

\*Window Fans are not suitable for double glazed windows. Hole should be cut by an experienced glazier.

### IMPORTANT NOTE:

If your fan is equipped with auto shutters it will be fitted with a thermally activated mechanism that opens and closes the shutters. When the unit is turned on/off the automatic shutters will take approximately 45 seconds to respond.

### IMPORTANT

- Isolate the mains supply before removing the guard or making any electrical connections. This system should be installed by a qualified electrician.
- When fitting through an external wall, an external grille must be fitted at all times.
- All the wiring must comply with national wiring rules.
- Fan should only be installed by fixed wiring, a flexible cord should not be used.
- Disconnection must be incorporated in the fixed wiring in accordance with the national wiring rules.
- The appliance is not intended for use by young children or infirm persons without supervision.
- Young children should be supervised to ensure that they do not play with the appliance.
- Precautions must be taken to avoid the back-flow of gases into the room from the open flue of gas or other open-fire appliances when mounted in outside windows or walls
- If the supply cord is damaged it must be repaired by the manufacturer, its service agent or similarly qualified person in order to avoid a hazard.

We reserve the right to change specification without prior warning



5468



Manrose is proudly distributed by Ventair Pty Ltd  
4 Capital Place, Carrum Downs, 3201 VIC, AUSTRALIA.

Technical Support (03) 9775 0556

e: [info@ventair.com.au](mailto:info@ventair.com.au) | [www.ventair.com.au](http://www.ventair.com.au) | [www.manrose.com.au](http://www.manrose.com.au)