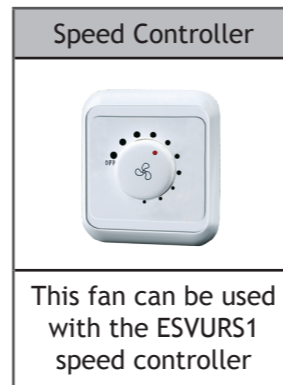


OV1 SERIES

• Application
The Fanco OV1 Series are designed for ventilating a premises where high air capacity at relatively low system resistance is required.

• About the motor
The OV1 Series fan casings are made from steel with a polymeric coating. The single phase motor is equipped with thermal overheating protection and ball bearings which ensure a long service life. The motor is IP44 rated.

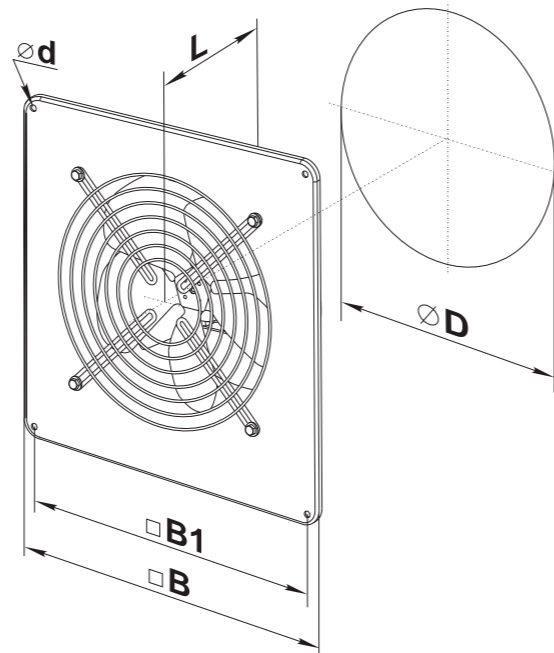
• Mounting
The fan is suitable for internal wall or ceiling mounting.



SKU	Description
ECVUOV250	OV1 250 Commercial Exhaust Fan
ECVUOV315	OV1 315 Commercial Exhaust Fan

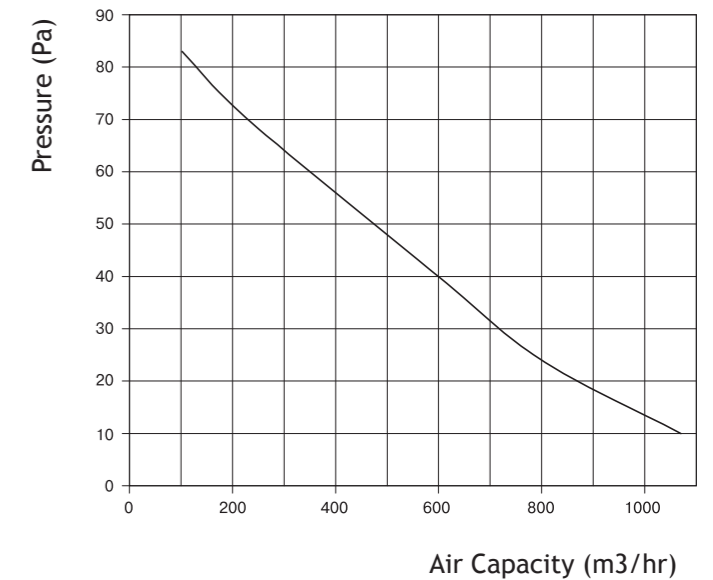
Fan Overall Dimensions (mm)

SKU	B	B1	D	L	d
ECVUOV250	370	320	262	140	7
ECVUOV315	430	380	312	170	9



ECVUOV250 - OV1 250 Commercial Exhaust Fan

Voltage	230
Power (W)	68
Current (A)	0.48
Capacity (m3/hr)	1070
Capacity (l/s)	297.46
Capacity (CFM)	630.23
RPM (min-1)	1300
Noise Level at 3m (dBA)	48
Max air temp (°C)	40
Protection rating	IP24



ECVUOV315 - OV1 315 Commercial Exhaust Fan

Voltage	230
Power (W)	110
Current (A)	0.75
Capacity (m3/hr)	1700
Capacity (l/s)	472.6
Capacity (CFM)	1001.3
RPM (min-1)	1300
Noise Level at 3m (dBA)	54
Max air temp (°C)	40
Protection rating	IP24

