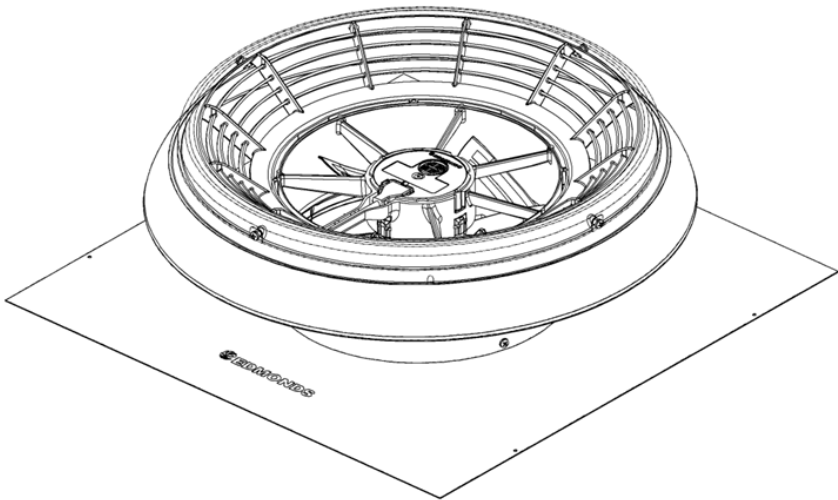


# AiroMatic

Power Roof Ventilator

## Product Manual

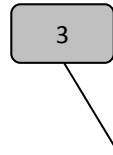
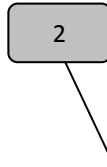
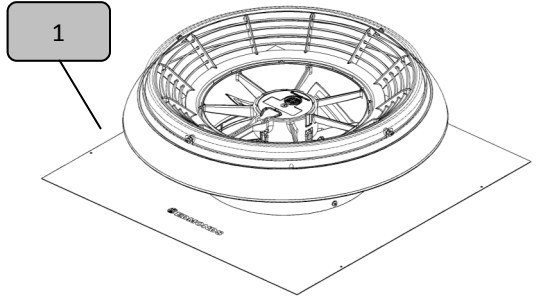


## Item Checklist & Additional Tools Required For Installation

### Included Parts:

### QTY:

1	Airomatic	(1)
2	Speed Controller	(1)
3	Power Supply	(1)
4	Fixing Strap	(1)
5	Speed Controller Fixing Screws 6Gx13mm	(2)
6	Product Manual	(1)
7	Warranty Document	(1)



### Additional Parts & Tools Required (Not Supplied)

Soft Rubber Hammer

Roof Sealant & Caulking Gun

Cable Ties

Cordless Drill & Screwdriver

Marker Pen

Foil Tape (Sarked Roofs Only)

Knife ( Sarked Roofs Only)

Tek Screws or Sealed Rivets x 10 (Metal Roof Only)

Nibbler or Similar Cutting tool (Metal Roof Only)

**WARNING: Do not proceed with the installation until you have read the entire instructions, including these warnings.**

### **Install at your own risk**

The installation of this product may be dangerous and includes the potential of death, personal injury or property damage. Please be aware of the following before installing this product.

- Installation requires climbing and working at heights. Use caution to minimise risks by:
  - Clearing the area below the workspace
  - Avoid walking on surfaces that are slippery, wet or dusty
  - Using appropriate equipment (tie off ladders etc.)
- There are sharp edges on the flashing, Take care and wear personal protective equipment when handling and installing products
- DO NOT attempt to install if you are uncomfortable with working at heights or on sloping roof surfaces

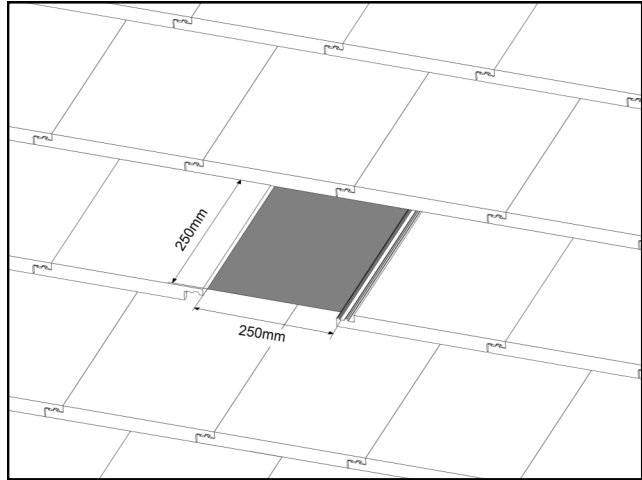
### **Important Notes**

- The Airomatic is designed for general household ventilation only. DO NOT use to exhaust hazardous or explosive materials and vapours
- The Airomatic has an unguarded fan assembly. DO NOT use in locations readily accessible to people or animals. The fan is intended for use facing an unoccupied space only.
- Always use the provided power supply and speed controller to power the fan. Failure to do so can damage the product.
- Power supply and speed controller are for dry indoor use only. Ensure that the power supply and speed controller are not left on damp surfaces, fasten to the structure with screws or cable ties as required.
- Only use one Airomatic per speed controller and power supply

**STEP 1**

Remove one tile from the third row down from ridge cap.

If the gap produced is less than a 250mm square opening then either push the tiles above upwards or cut the tiles to provide clearance

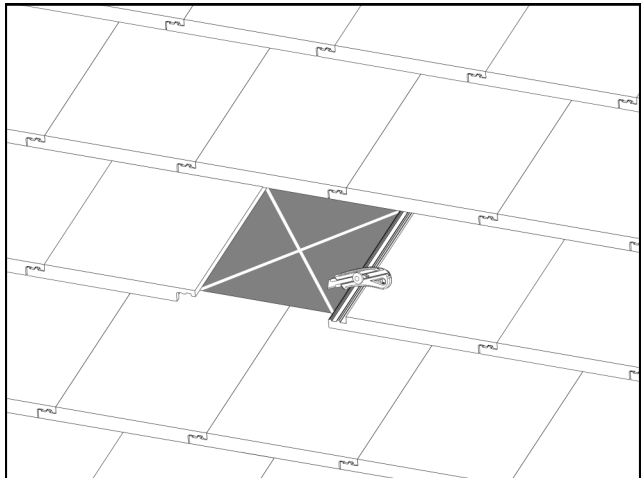


The removal of a tile higher than this may damage the integrity of the ridge tile pointing and is NOT recommended

**STEP 2**

If the roof is 'sarked', Cut sarking in a cross folding back the corners outwards to give a 250mm square opening.

Tape the corners down with foil tape to prevent them from fouling the fan

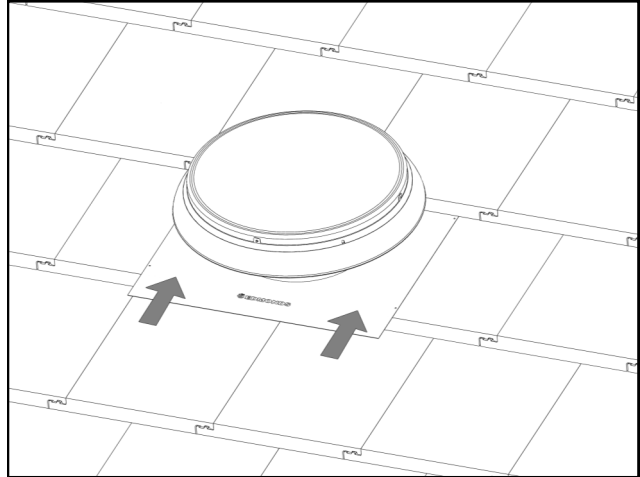


**STEP 3**

Taking the Airomatic unit slide the flashing under the tiles above the opening.

Ensure the Edmonds logo is down the bottom for correct orientation.

Centre the unit over the opening.

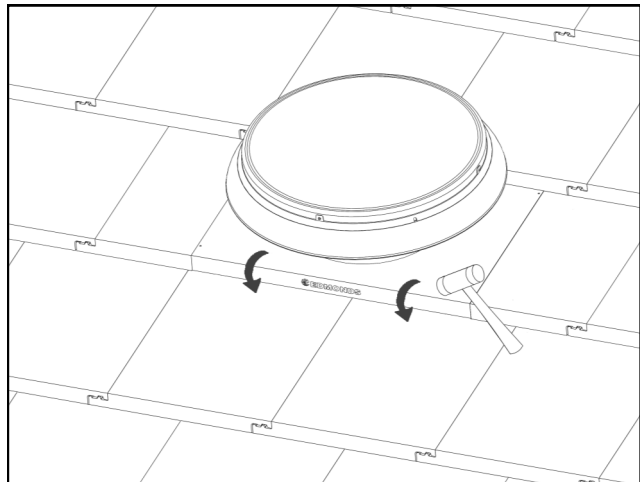


Make sure that the cable is through the opening and not caught under the flashing.

**STEP 4**

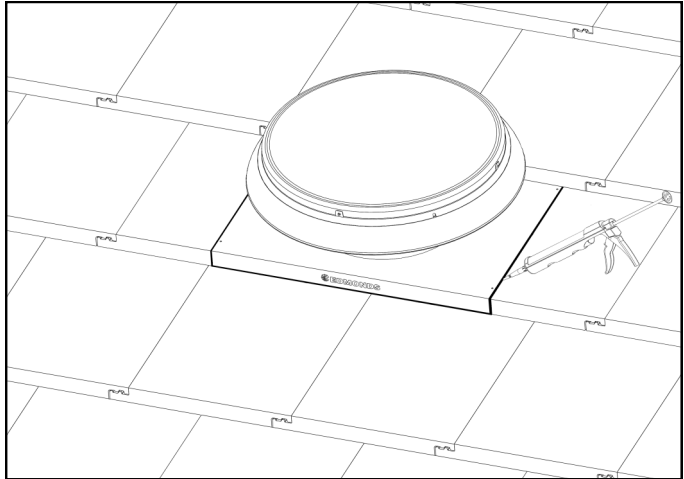
Fold down the bottom edge of the flashing to seal against the lower tiles.

Using a soft hammer if required, carefully dress the front and sides of the flashing into the shape of the tiles.



**STEP 5**

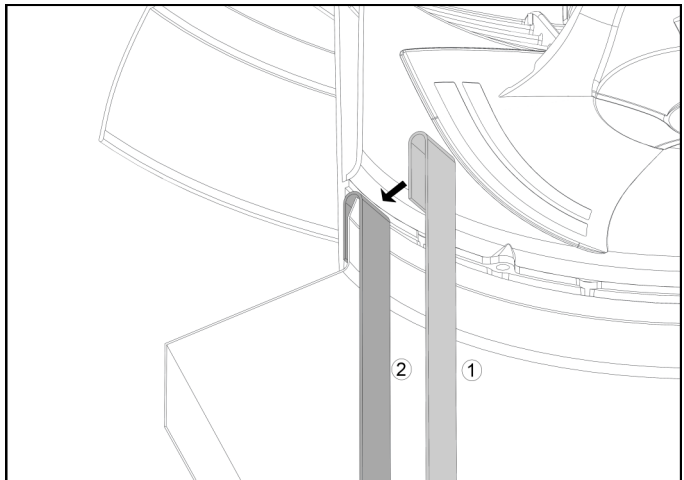
To ensure a weatherproof installation, apply a bead of silicone under the side and front edges of the flashing.



**STEP 6**

From within the roof space, fit the fixing strap by hooking it between the flashing up stand and the outer housing.

The fixing strap should be hooked near to the cable exit.



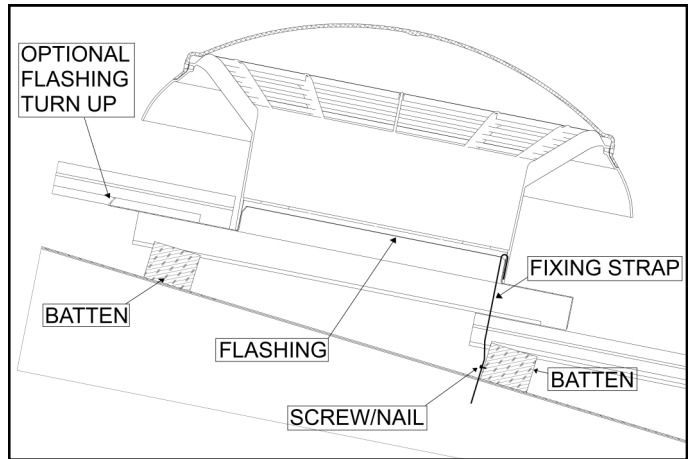
Ensure the fixing strap is seated firmly and that it **DOES NOT** interfere with the fan

**STEP 7**

Take the fixing strap and screw/nail (not supplied) it to the bottom batten

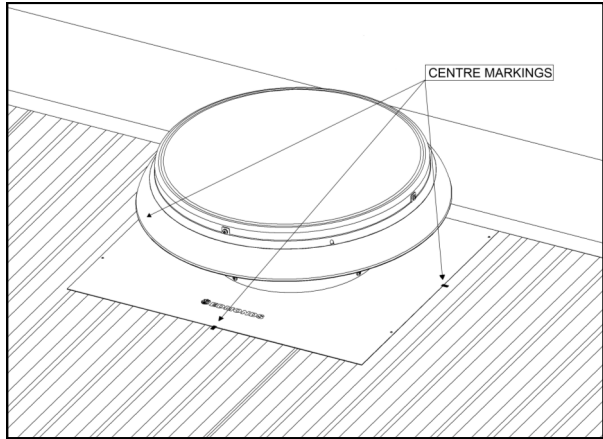
The strap can be deformed as required to achieve this.

If the roof tiles have a large wave style, then turn the rear edge of the flashing upwards to seal against the tile above



**STEP 1**

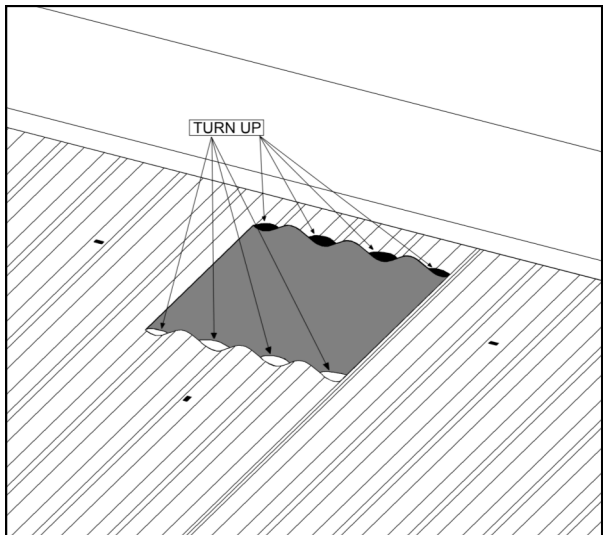
Position the vent in an appropriate position and slip the top edge of the flashing under the ridge capping. Mark the centre of each side to determine where the centre of the vent will be.



Ensure the flashing covers the corrugations or ribs equally and that it is located between the roof joists.

**STEP 2**

Remove the vent and using the marks to determine the centre cut a 250mm square opening. Turn up corrugations or pans around the opening

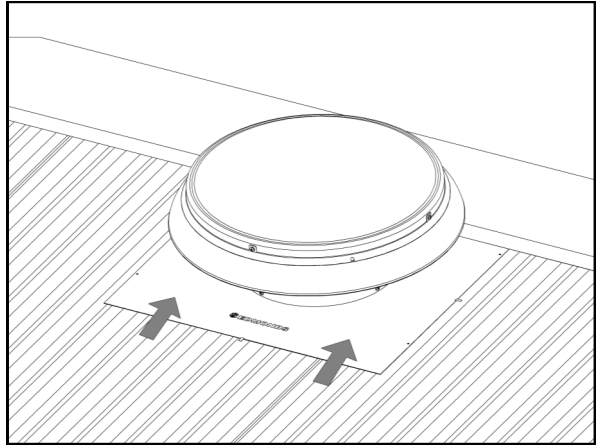




**STEP 3**

Place the vent back on the roof by slipping the top of the flashing under the ridge capping.

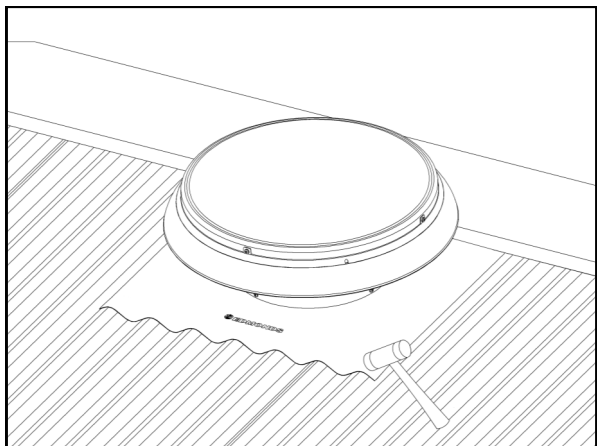
Line up the centre marks made earlier to ensure that the vent is centred on the opening



Ensure that the cable is through the opening and not caught under the flashing.

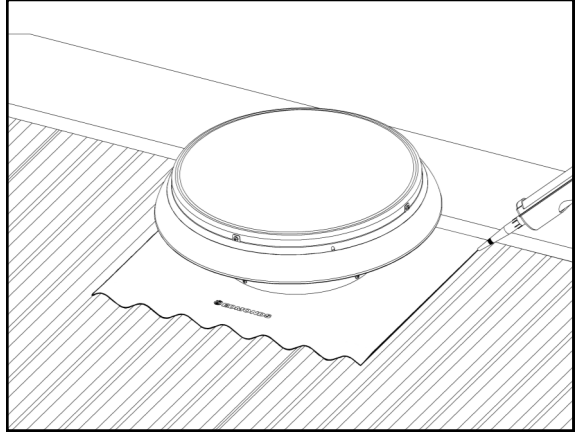
**STEP 4**

Using a soft hammer, carefully dress the flashing into the corrugations of the metal sheet profile.



**STEP 5**

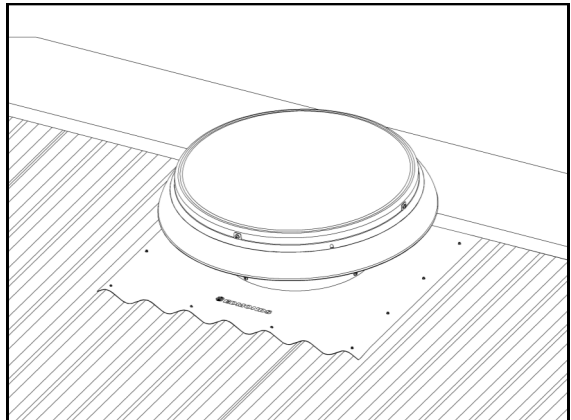
Lift the flashing and run a bead of silicone along the underside of the flashing, following the edge along the three exposed sides.



The fixing strap is not required for metal roof installations and can be discarded

**STEP 6**

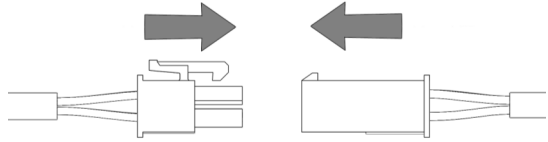
Secure the flashing to the metal sheeting with Tek screws or sealed rivets along the 3 exposed edges of the flashing. Approximately 10 required (not supplied)



## Installation—Electrical Connection

### STEP 1

Connect short cable of the speed controller to the lead coming from the Airomatic



### STEP 2

Connect long cable of the speed controller to the lead coming from the power supply.

### STEP 3

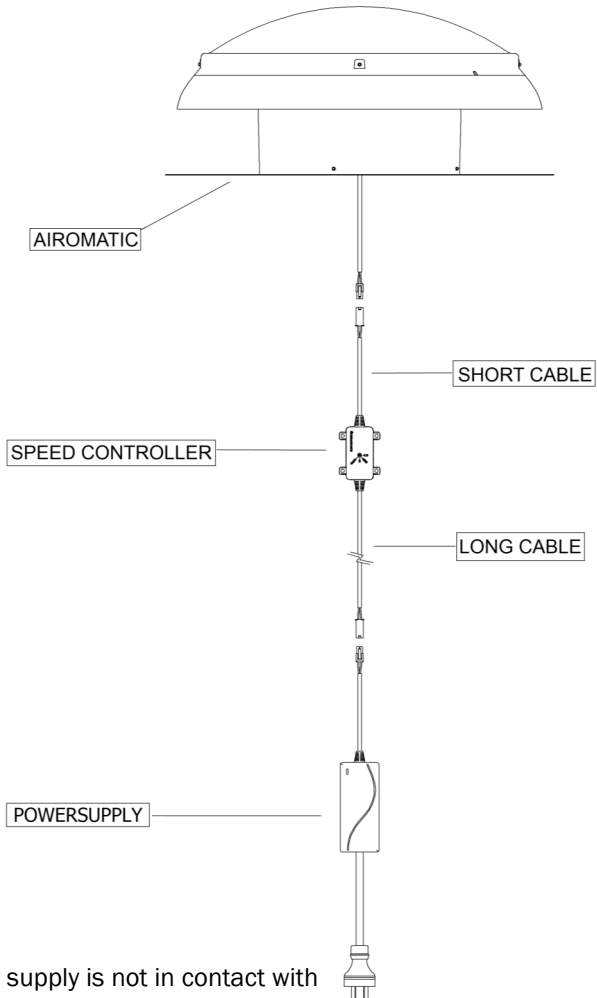
Connect the power supply to a mains socket. Turn on and check fan runs freely

### STEP 4

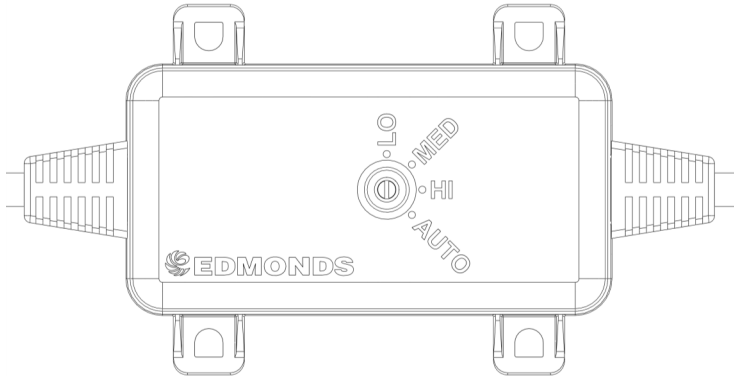
Using either the supplied screws or cable ties mount the speed controller on a suitable piece of structure that does not place the controller in either direct sunlight or the airflow of the Airomatic™

### STEP 5

Set the control mode



Ensure the power supply is not in contact with damp or wet areas



The speed controller has 4 operating modes. These are selectable via the 4 position selector on the controller box.

To adjust use a 2mm flat screwdriver to turn the switch to the desired position. This can be done whilst the product is running.

The default starting position is **LO**

### MODES:

- LO (Default)** - Continuous operation, low speed, low flow rate, very quiet, very low power consumption.
- MED** - Continuous operation, moderate speed, moderate flow rate.
- HI** - Continuous operation, high speed, high flow rate.
- AUTO** - Variable speed. The Airomatic will automatically increase or decrease the speed of the fan depending on roof cavity temperature (30°C - 45°C)



If in AUTO mode and the roof cavity is sufficiently cool (less than 30°C) the Airomatic will enter power savings mode and the motor will not run.

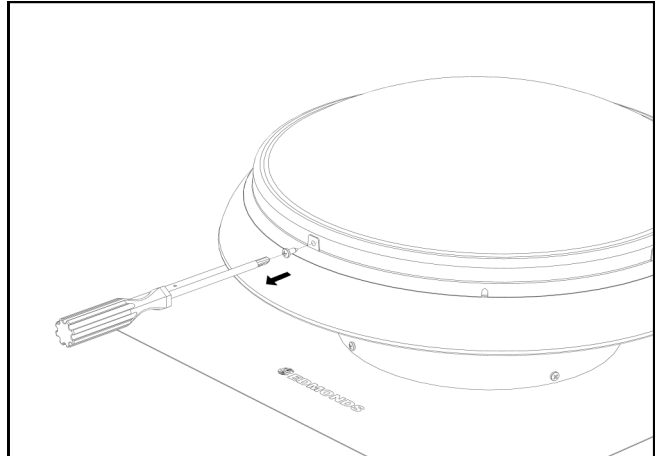
## Painting the Airomatic

**WARNING: Do not disassemble the Airomatic unless you are confident that you understand the process. Damage caused by incorrect disassembly and reassembly can void the product warranty.**

### STEP 1

Remove the 4 screws securing the dome.

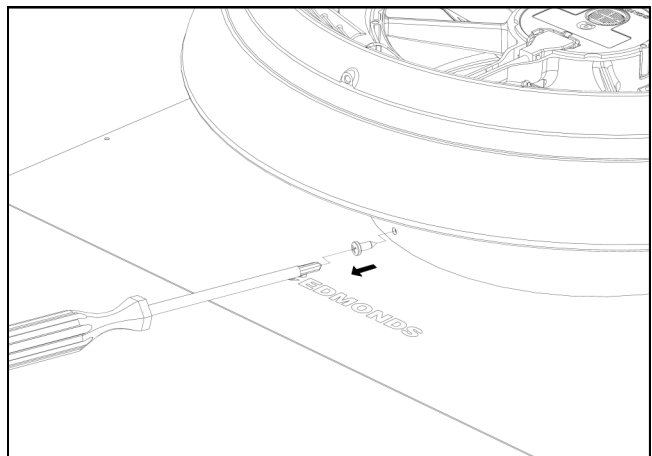
Lift the dome off the Airomatic and place on a soft surface to prevent marks or scratches.



### STEP 2

Remove the 4 screws securing the flashing to the Airomatic housing.

Remove flashing from Airomatic, being careful not to damage the cable

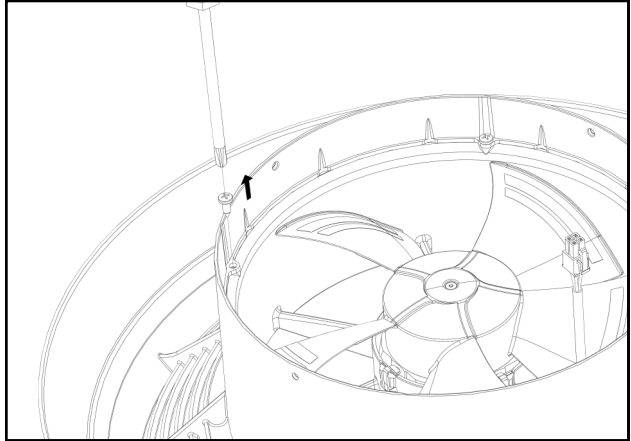


## Painting the Airomatic

### STEP 3

Turn the Airomatic over and whilst supporting the fan housing remove the 4 screws securing it.

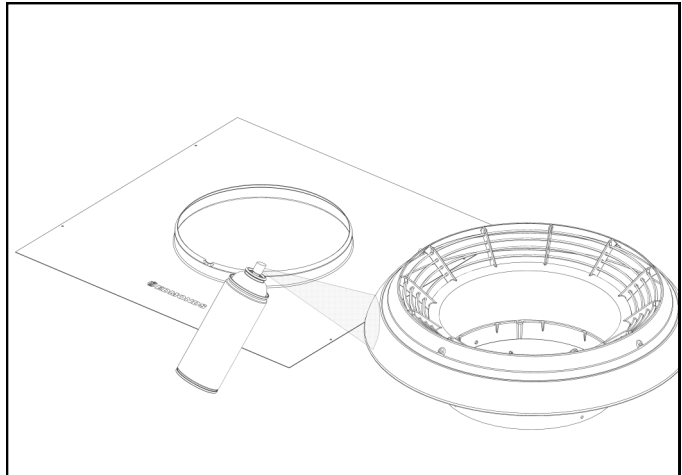
Be careful to prevent the housing from dropping away as the screws are removed



The plastic used for the Airomatic housing is suitable for painting with standard spray paints without priming. The surface must be clean before painting.

### STEP 4

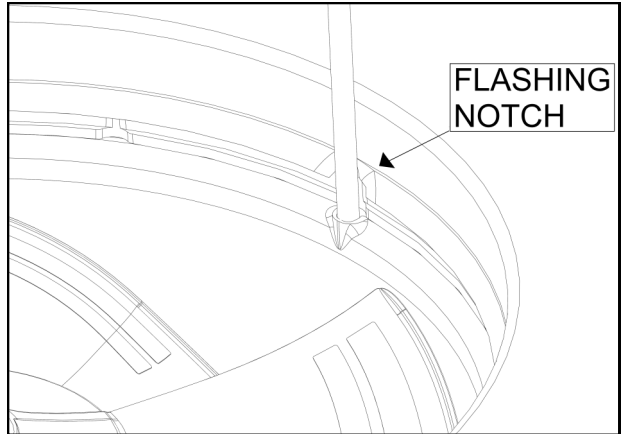
Paint Airomatic housing and flashing and allow to dry.



### **STEPS 5,6,7**

Reassemble the Airomatic using the reverse of the steps used to disassemble.

When attaching the flashing make sure to align the notch in the flashing up stand with the cable exit



All screws should be hand tightened until snug. Do not over tighten screws as this may cause them to strip out of the plastic

### **STEP 8**

Post assembly check.

- Check that the cable is sitting in the notch of the flashing.
- Check that the fan is orientated correctly with the motor/fan unit in exhaust configuration
- Check all screws are in place
- Check that the fan blades rotate freely and are not impeded

## Technical Data

### **Material:**

Dome:	Plastic (PMMA – Clear, High Impact)
Housing:	Plastic (ASA)
Flashing:	Aluminium (Soft)
Fan & Motor Housing:	Plastic (PP-TD20)
Fan Impeller:	Plastic (PA6-GF30)

### **Weight:**

2.7 kg

### **Electrical:**

#### *Power Supply*

Type:	Electronic Switching Mode
Input:	100-240VAC, 1~, 50/60Hz, 2A
Output:	24 VDC

<i>Fan Motor:</i>	Electronic Commutating (EC) motor
Input Voltage:	24 VDC
Protection Class:	IP54

#### *Speed Control*

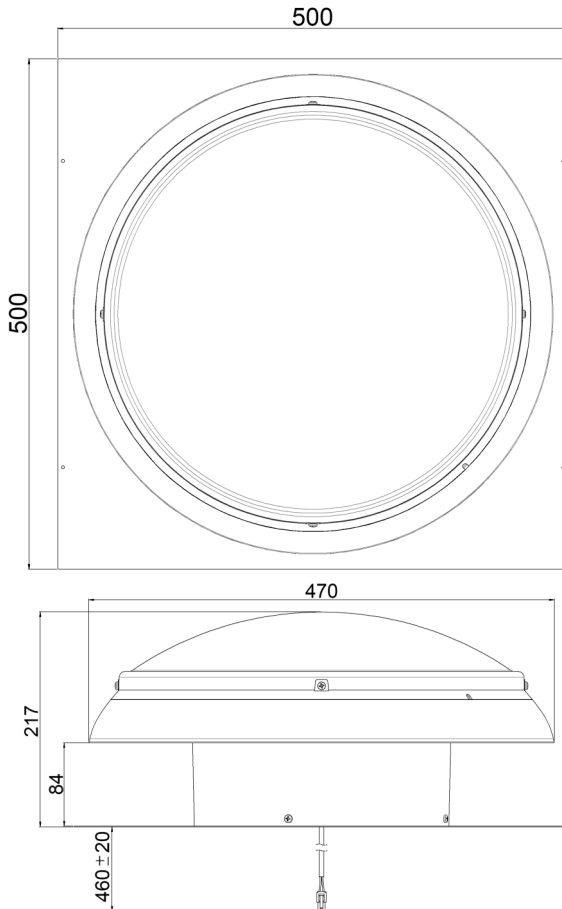
Type:	Temperature Sensing Electronic Variable Speed Controller
Input Voltage:	24 VDC
Fixed Speed Operation:	Three fixed speeds (LO, MED & HI), manually selectable via rotary selector switch.
Automatic Variable Speed Operation:	Variable speed response relative to ambient temperature of speed controller location. - Off below 30 °C - LO at 30 °C - Gradual ramp up to HI at 45 °C



## Performance Data & Product Dimensions

Speed	Sound Pressure Level (SPL) $L_A$ @ $p_{sF}=0$ [dB(A)]	Max. running power consumption [W]	Flow rate $q_v$ @ $p_{sF}=0$ [m <sup>3</sup> /hr]
LO	35.4	4	291
MED	45.1	12	434
HI	52.9	30	647

NOTE—Sound pressure level measured 1m from fan inlet



## FAQ & Troubleshooting

**Q: Do I need an electrician to install the Airomatic?**

**A:** If you have an available power point that can be reached then no electrician is required. If a power point is unavailable then an electrician will be required to install one.

**Q: Can I wire it directly into the mains power?**

**A:** No, you must use the supplied power supply and speed controller for the Airomatic to work correctly. Failure to do so may damage the product.

**Q: Can I duct the Airomatic?**

**A:** Yes, however a suitable collar or adaptor would be required to attach the ducting (Not Supplied). This must allow the cable of the Airomatic to be passed through.

**Q: Can I paint the Airomatic?**

**A:** Yes, standard spray paint can be used to paint the Airomatic. No plastic primer is required, however the surface must be clean before paint application. Do not get any paint on the motor/fan module. The Airomatic can be disassembled to facilitate easier painting. Instructions for disassembly can be seen on pages 13-15 of this manual.

Troubleshooting	
Problem	Possible Actions
Motor / Fan Not Running	Controller may be in AUTO Mode (It will not run at a temperature less than 30 °C when in AUTO). Change to LO to confirm controller is functioning correctly
	Check all connections are secure
	Check power supply is plugged in
	Check power point is turned on
Water leaks when raining	Check installation integrity
	Reseal around edge of flashing

## Contact Details

### General Enquiries and Support

PH: 1300 858 674

Email: Sales@edmonds.com.au

### Technical Ventilation Enquiries

PH: +61 2 8824 0444

