



# AiroMatic®

## Product Description

A powered roof ventilator that combines inverter speed control technology with a low voltage electronic brushless motor to provide exceptional energy efficiency, high flow rate and low operational noise.

## Applications

AiroMatic can be used in either variable or fixed speed modes for temperature and condensation control of roof spaces.

## Benefits

Automatically responds to roof space temperature and relative humidity conditions in order to maintain an optimal ventilation rate and reduce energy consumption. This results in better performing insulation and a reduced heat load on ducted air conditioning.

In cooler climates, the AiroMatic allows for energy efficient ventilation to reduce the likelihood of roof space condensation.

## Specification

“The roof ventilator shall be CSR Edmonds AiroMatic with inverter speed control technology, 24VDC electronic commutating motor, exhaust rate up to 647m<sup>3</sup>/hr and maximum noise 52.9dB(A)@1m.”

## SKU Table

AiroMatic	Material Code	Carton Size (L x W x H)
Headland	112153	520 x 235 x 520 mm
Night Sky	112154	520 x 235 x 520 mm
Surfmist	112155	520 x 235 x 520 mm
Woodland Grey	112156	520 x 235 x 520 mm

## Product Specifications

<b>General:</b>	
Type	Axial flow fan roof ventilator
Fan diameter	230mm
Throat diameter	250mm
Product Weight	2.95kg
Packaged Weight	3.7kg
Roof Slope Installation Range	3° to 35°
<b>Material:</b>	
Dome	Plastic (PMMA - Clear, High Impact)
Housing	Plastic (ASA)
Flashing	Aluminium (Soft)
Fan & Motor Housing	Plastic (PP-TD30)
Fan Impeller	Plastic (PA6-GF30)
Screws	Stainless Steel and Class 3 Galvanised

## Product Specifications (Continued)

<b>Electrical: Power supply</b>	
Type	Electronic Switching Mode
Input Voltage	100-240VAC, 1~, 50/60Hz
Output	24 VDC
Installation Location	Indoor, dry area
<b>Electrical: Fan motor</b>	
Type	Electronic Commutating (EC) Motor
Internal Voltage	24 VDC
Protection Class	IP54
Power Supply Cable Length	Approx 1.8m (see diagram)

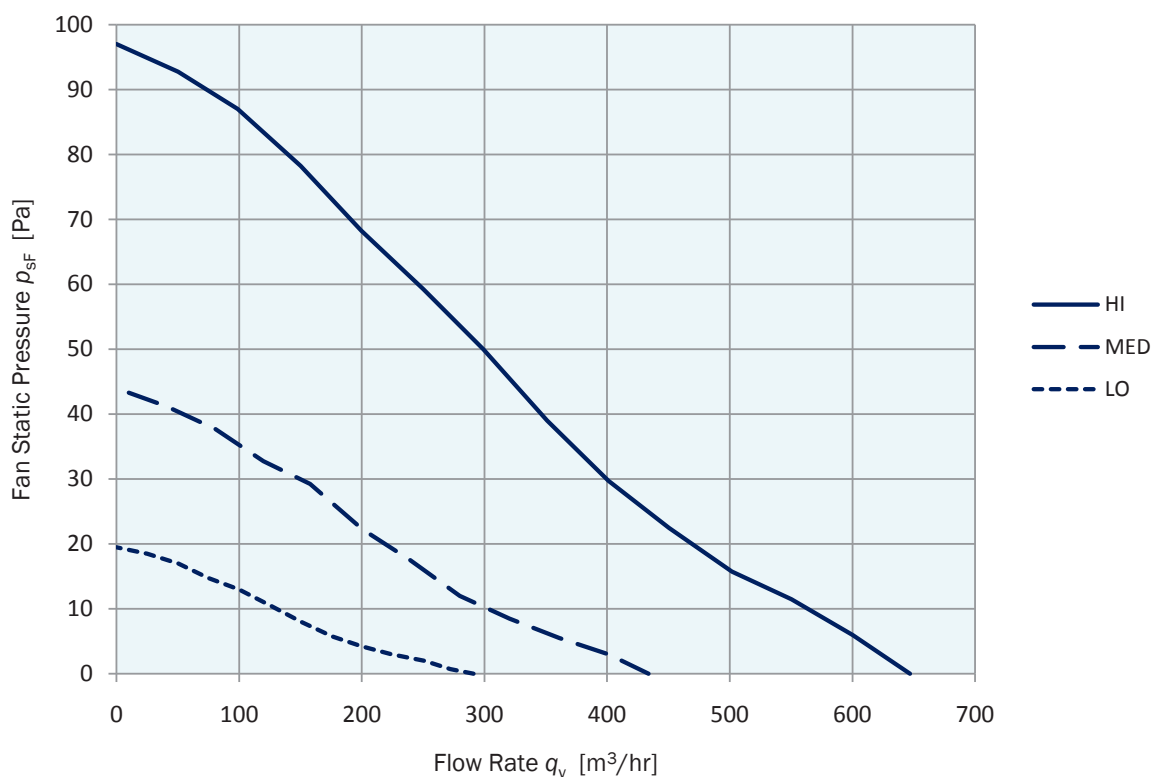
## Performance

Speed	Sound Pressure Level LA @ psF = 0 [dB(A)] **	Max. running power consumption [W] *	Flow rate $q_v$ @ psF = 0 [m <sup>3</sup> /hr]	Specific Flow rate @ psF = 0 [m <sup>3</sup> /hr/W]
LO	35.4	5.8	291	56
MED	45.1	15.6	434	31
HI	52.9	37	647	19

\* Primary side power consumption calculated by AS4665.1 using measured secondary side values.

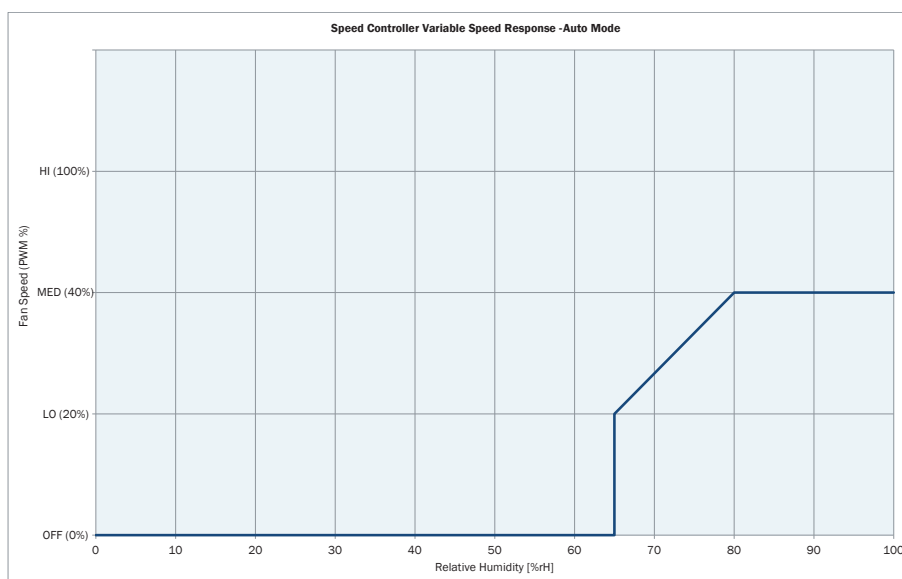
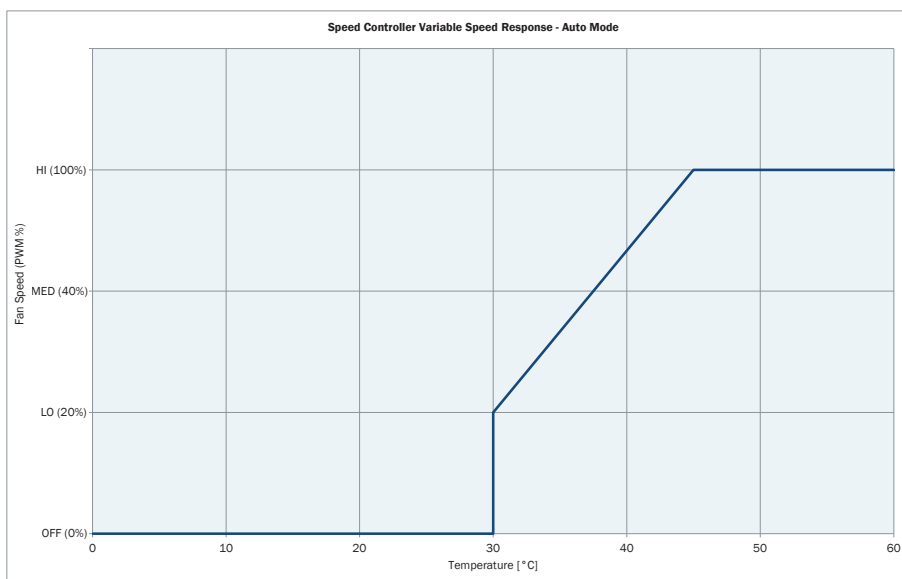
\*\* Sound Pressure Level measured 1m from inlet.

Characteristic Curves



## Automatic Speed Control Operation

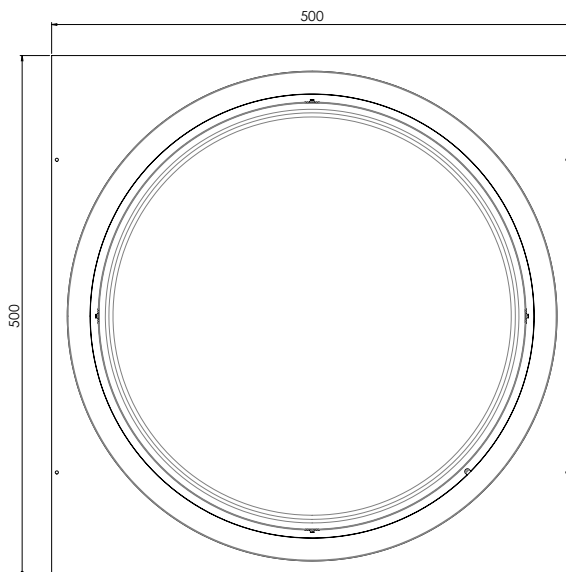
<b>Type</b>	Environment (Temperature and Relative Humidity) Sensing Electronic Speed Controller
<b>Input Voltage</b>	24 VDC
<b>Installation Location</b>	Dry indoor use only
<b>Fixed Speed Operation</b>	3 fixed speeds (LO, MED, HI), manually selectable via a button on controller
<b>Automatic Variable Speed Operation</b>	<p>Variable speed responds to both ambient temperature and to ambient relative humidity. The speed controller will run at the highest speed when comparing the appropriate response to each environmental factor.</p> <ul style="list-style-type: none"> <li>- When measuring the temperature, the fan response will be off below 30°C. LO speed at 30°C and a linear increase in speed until HI speed is reached at 45°C.</li> <li>- When measuring relative humidity, the fan response will be off below 65%rH. At 65%rH the fan will start in LO speed and there will be a linear increase in speed until MED speed is reached at 80%rH.</li> <li>- The two charts below summarise the fan response.</li> </ul>



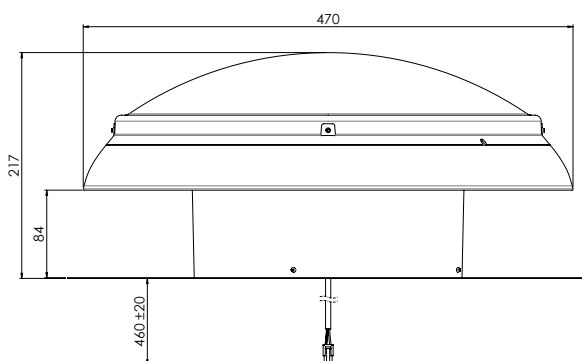
# AiroMatic®

## Drawings

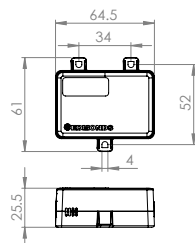
Top View



Front View



Speed Controller



Power Supply

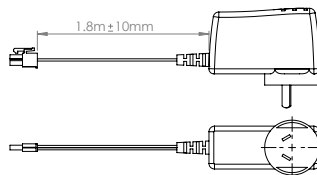


Image is illustrative only

AiroMatic – DATA SHEET



CSR Edmonds  
10 Stanton Road, Seven Hills NSW 2147 Australia.  
Telephone 1300 858 674

[www.edmonds.com.au](http://www.edmonds.com.au)

CSR Edmonds is a business division of CSR Building Products Limited ABN 55 008 631 356

The contents of this brochure are copyright protected and may not be reproduced in any form without prior written consent of CSR Edmonds. Recommendations and advice regarding the use of the products described in this brochure are to be taken as a guide only, and are given without liability on the part of the company or its employees. We reserve the right to change product specifications without prior notification, please refer to the Edmonds website for the latest version of this document. The purchaser should independently determine the suitability of the product for the intended use and application.



CSR

Publish date: 11/16 Doc ref: TECHSHT84 Rev: 0