

AXC TP

expella™

High performance in-line fans

The AXC TP fan is designed for in line (ducted) installation and is one of the most powerful low-energy fans on the market. It suits multi-room domestic applications – up to 3 bathrooms with the largest fan. This fan operates quietly and is manufactured from techno-polymer plastic making it double insulated for electrical safety. It also comes with a 2-pin plug and lead making it easier for DIY or professional installation.



MANUFACTURER:



WARRANTY:

2 years (Extended warranty may apply)

APPLICATIONS AND INSTALLATION:

- To be used in conjunction with internal grilles and ducting (not included)
- Works with long ducting lengths (up to 20m)*
- Suitable for single or multiple room applications where high-performance is required including:
 - Bathrooms
 - Laundries
 - Kitchens and rangehoods
 - Sub-floor
 - Supply air systems
- It is recommended that this product be installed by an industry professional (electrician or air-conditioning installer)

OPTIONS:

Built in timer version available

BENEFITS:

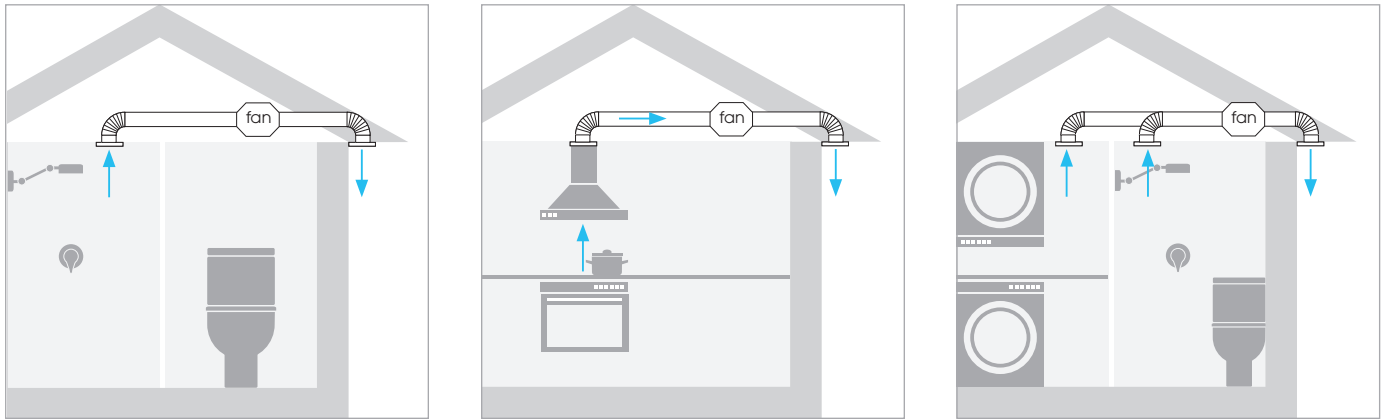
- Low wattage motors
- Manufactured in shock proof high quality techno-polymer, flame retarding V2
- Backward curved blades to ensure quiet operation and develop ample static pressure
- Can be used with long lengths of rigid or flexible ducting
- Ideal solution for centralised / multi-point ventilation systems
- Variable speed controllable
- Ball bearing motor, permanently lubricated for maintenance free operation and continuous running
- Available in four sizes
- European made (Italy)

*Correctly sized ducting

AXC TP

High performance in-line fans

APPLICATIONS:



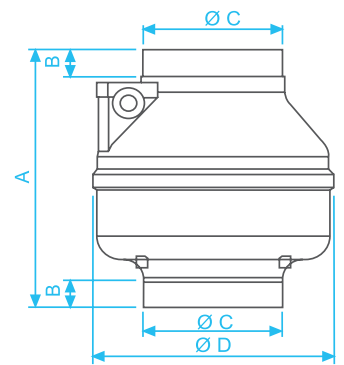
SPECIFICATIONS:

Model	Item Code	Volume m ³ /h (maximum)	Volume L/s (maximum)	Pressure (maximum)	Wattage	Noise dB(A) *	RPM
AXC 100 TP	2AX5148A	230	63	270	33	36.1	2700
AXC 125 TP	2AX5149A	275	76	250	33	37.1	2680
AXC 150 TP	2AX6185A	390	108	300	60	38.1	2500
AXC 160 TP	2AX6186A	420	117	300	70	39.1	2480

* Measured at 3 metres

DIMENSIONS:

Model	A	B	ØC	ØD	Kg
AXC 100 TP	238	25	98	212	1.5
AXC 125 TP	238	25	123	212	1.5
AXC 150 TP	232	28	147	253	2.0
AXC 160 TP	232	28	157	253	2.0



PERFORMANCE:

