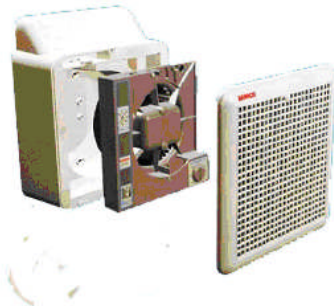




CF234 Flush Mount Exhaust Fan



The CF234 fans are moulded in impact resistant high gloss ABS thermoplastics for strength, durability and appearance. They are fitted with a powerful backward curved centrifugal impeller and discharge through 100mm (4") diameter flexible ducting.

A spring operated non-return flap is built into the discharge spigot to prevent back draughts.

The motor is a single phase 60watts induction motors with sealed for life bearings fitted for a long maintenance free life and protected by an auto-reset thermal cut-out. These fans are double insulated and do not require an earth. It has 3 settings (set at installation) to cater for different air volume needs.

All models are designed to be mounted on walls or ceilings, the fan casing can be fitted first, the ducting installation completed, and then the internal fan assembly just snaps in at the installers convenience - usually following completion of decorating (this puts an end to site damage and theft).

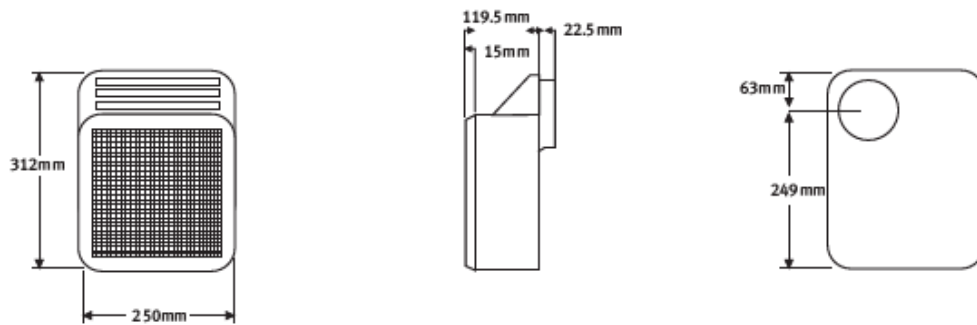
The flush mount model has a low overall height of 141mm, allowing it to be easily fitted between floors; the low profile grille is easily removed for cleaning.

Technical Specification

Setting	Max Pressure	Watts	Fan (RPM)	Performance	Sound dB(A)
1	140Pa	20	950	100 m ³ /hr	37
2	165Pa	40	1500	162 m ³ /hr	51
3	180Pa	60	1850	234 m ³ /hr	56



Dimensions



Performance Curves

