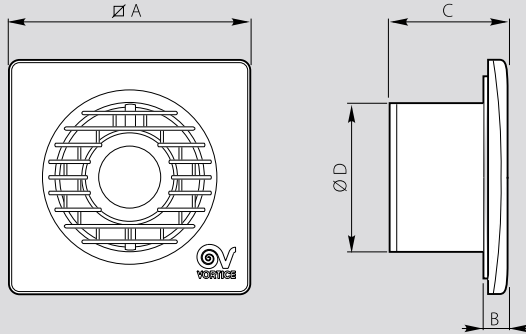


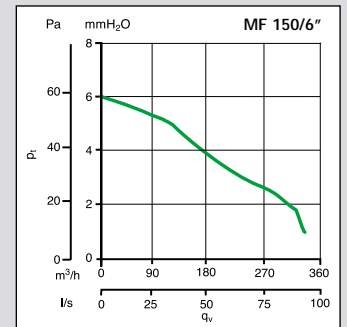
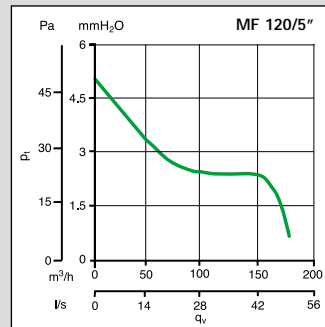
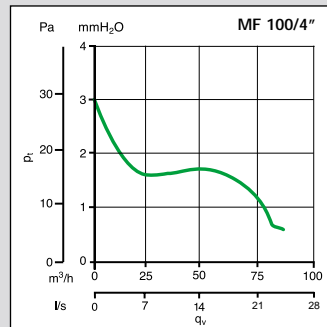
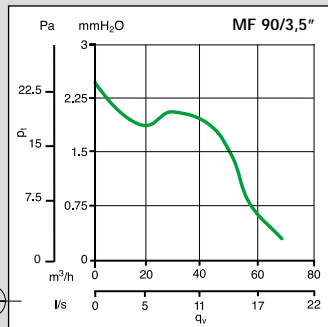
Technical Specifications

DIMENSIONS



	∅ A	B	C	∅ D	Kg
MF 90/3,5"	159	17	77	92,5	0,50
MF 100/4"	159	17	77	98	0,51
MF 120/5"	179	17	89	119	0,61
MF 150/6"	214	17	96	156	0,97
MF 90/3,5" T	159	17	77	92,5	0,51
MF 100/4" T	159	17	77	98	0,52
MF 120/5" T	179	17	89	119	0,62
MF 150/6" T	214	17	96	156	0,98

PRESSURE/PERFORMANCE CURVES



TIMER

Vortice Punto Filo products are also available with an adjustable from 3 to 20 minutes, overrun timer.

LONG LIFE 30.000 h

Punto filo range is also available with ball bearing motors for a minimum 30,000 hours operation without mechanical malfunction.

ACCESSORIES ON REQUEST

C 1.5 (code 12966)

For the standard versions only

SCB Kit (cod. 22481)

Built-in controller adaptor to convert the regular speed controller into built-in model.

Ceiling kit ∅ 90-100 (cod. 22162) -
∅ 120 (cod.22163) - ∅ 150 (cod.22164)

Made in soft rubber it guarantees IPX4 protection on ceiling installations.

Fixed grille ∅ 90-100 (cod. 22010) - ∅ 120-150 (cod.22020)

IPX4

The products are protected against jets of water from all directions, making them ideal for installation in humid and wet areas.



Safety IMQ Certified



Data and performance certified by IMQ Performance



CE marked

Vortice Punto Filo Range

4 DIAMETERS Ø 90-100-120-150, STANDARD, TIMER,
LONG LIFE VERSIONS



Products	Code	V-50 Hz	Watt	A	m ³ /h	l/s	mmH ₂ O Pmax	Pa	Rpm/1'	LpdB(A)3m	Insulation	Temp. max °C
MF 90/3,5"	11122	230/240	14	0,08	65	18	2,5	25	2500	28,8	□cl. II	50
MF 100/4"	11123	230/240	15	0,09	85	24	3	29	2400	31	□cl. II	50
MF 120/5"	11124	230/240	20	0,12	175	49	5	49	2150	34,4	□cl. II	50
MF 150/6"	11125	230/240	28	0,15	335	93	6	59	2100	40,1	□cl. II	50
MF 90/3,5" T	11126	230/240	14	0,08	65	18	2,5	25	2500	28,8	□cl. II	50
MF 100/4" T	11127	230/240	15	0,09	85	24	3	29	2400	31	□cl. II	50
MF 120/5" T	11128	230/240	20	0,12	175	49	5	49	2150	34,4	□cl. II	50
MF 150/6" T	11129	230/240	28	0,15	335	93	6	59	2100	40,1	□cl. II	50
MF 90/3,5" LL*	11130	230/240	14	0,08	65	18	2,5	25	2500	28,8	□cl. II	50
MF 100/4" LL*	11131	230/240	15	0,09	85	24	3	29	2400	31	□cl. II	50
MF 120/5" LL*	11132	230/240	20	0,12	175	49	5	49	2150	34,4	□cl. II	50
MF 150/6" LL*	11133	230/240	28	0,15	335	93	6	59	2100	40,1	□cl. II	50
MF 90/3,5" T LL*	11134	230/240	14	0,08	65	18	2,5	25	2500	28,1	□cl. II	50
MF 100/4" T LL*	11135	230/240	15	0,09	85	24	3	29	2400	31	□cl. II	50
MF 120/5" T LL*	11136	230/240	20	0,12	175	49	5	49	2150	34,4	□cl. II	50
MF 150/6" T LL*	11137	230/240	28	0,14	335	93	6	59	2100	40,1	□cl. II	50

* Not available in UK